



## RW 404 761

Under-counter wine storage unit with stainless steel-framed glass door  
Width 23 5/8" (60cm)

## Optional accessories

### RA 050 220

Replacement activated charcoal air filter for upper and lower temperature zone.

## 400 series 24" under-counter wine storage unit RW 404

- Two individual temperature zones, both continuously variable
- Consistent temperatures with exact control from 41 °F to 64 °F
- Extendable bottle trays in beech and aluminum
- LED lighting
- Cushioned door closing system allowing a soft and controlled door closure
- Door lock
- 34-bottle capacity

## Operation

Electronic temperature control with digital display.  
Touch keys.  
Dimmable presentation light option in each climate zone.  
Interior lighting with automatic dimming with opening and closing of door.

## Technical features

Dynamic cool air distribution with Multi-Flow Air System.  
Humidity control.  
Cushioned door closing system integrated in door hinge.  
Automatic defrosting with defrost water evaporation.  
One activated charcoal air filter.  
UV-protection.  
Open-door and malfunction warning system.  
Energy-saving vacation mode.

## Features

Net volume of 3.3 cu.ft.  
34-bottle capacity.  
Five bottle trays, three of which are extendable.  
Storage of magnum bottles possible.  
LED lighting.

## Planning notes

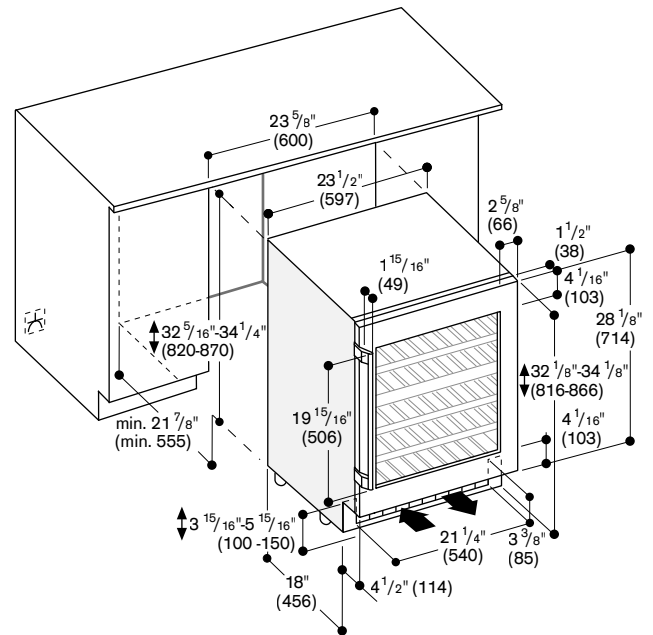
Toe kick not included. Custom toe kick required.  
Flat hinge.  
Door hinge right, reversible.  
Height-adjustable feet.  
Door opens to 95° and can be fixed.  
For integration next to a side wall, a clearance of 5 7/8" hinge side is required.  
Plan a power outlet outside of the cut-out.

## Consumption data

Energy consumption  
144 kWh/year.  
Noise level 38 dBA.

## Rating

Total rating: 0.2 kWh/24h.  
Total amps: 10 A.  
120 V / 60 Hz.  
Connecting cable 71" with plug.



## Bottle storage

